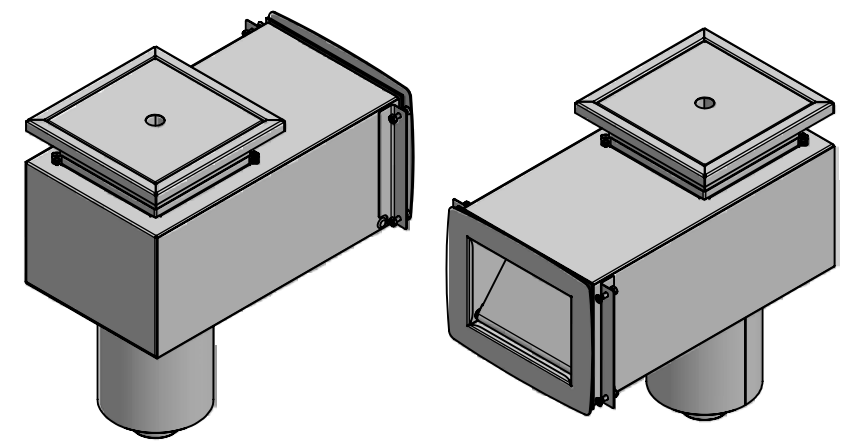
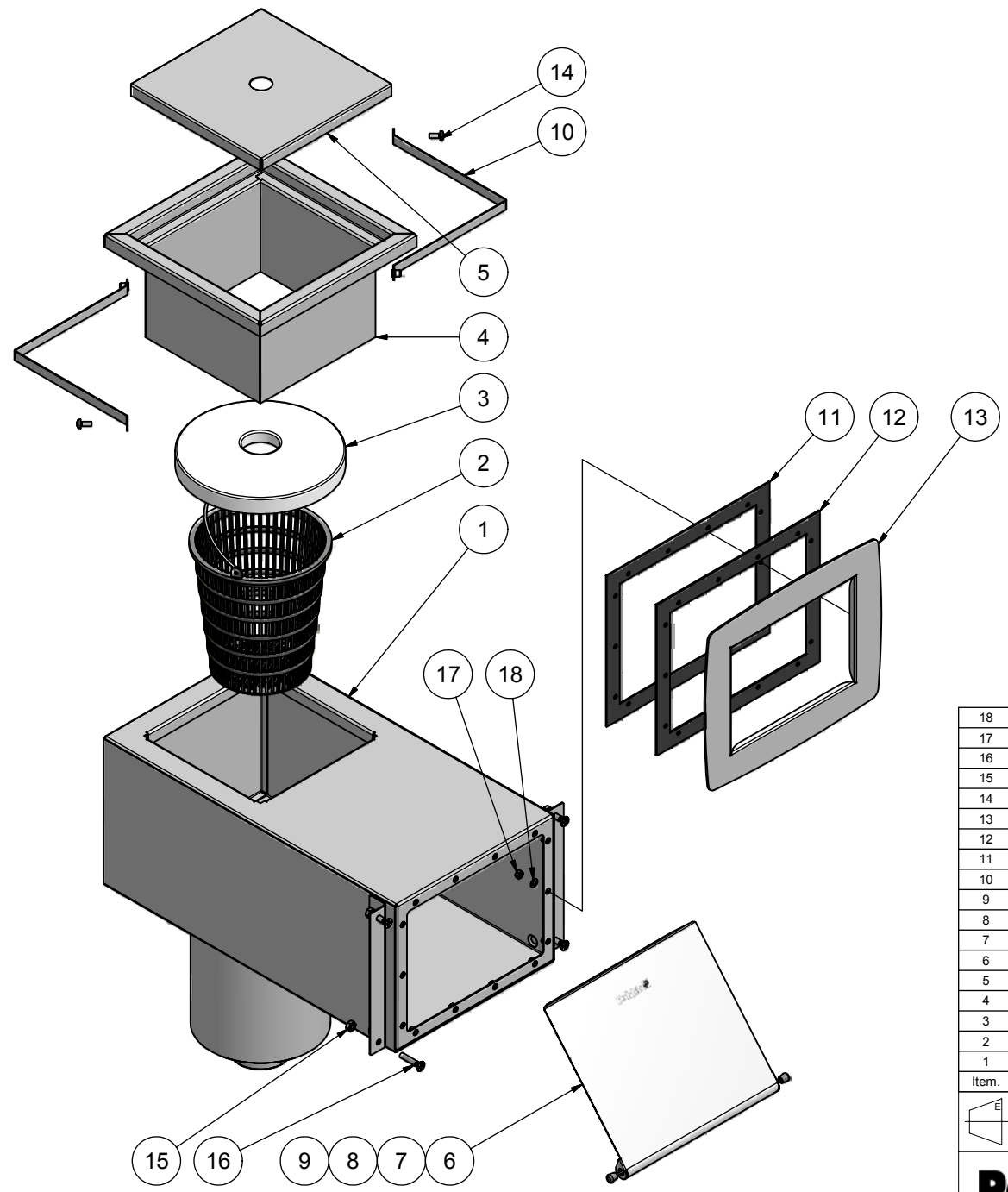


This document and its contents are the exclusive property of Pahlén and may not be copied, reproduced, transmitted or communicated to a third party, or used for any purpose without written permission.




Pos 6+7+8+9
Klaflucka komplett

Pos 10+11+12+13+14
Monteringsatts bräddavlopp vinyl

Pos 14+15+16+17+18
Muttersatts bräddavlopp vinyl

18	14	Bricka RB 5,3x10x1 (M5)	A4		
17	14	Mutter M6M M5	A4		
16	4	Skruv MFX M6x30	A4		
15	4	Mutter M6M M6	A4		
14	2	Skruv MRX M5x12	A4		
13	1	Frontram slät			
12	1	Packning 250x200x2mm			
11	1	Packning 250x200x1,5mm självhäftande			
10	2	Klamma			
9	2	Ändskydd			
8	1	Fjäder/bygel			
7	1	Flytkropp 190x130x20, frigolit			
6	1	Klaflucka -03			
5	1	Lock			
4	1	Krage bräddavlopp std			
3	1	Skimvacplatta Pahlén			
2	1	Silkorg komplett			
1	1	Bräddavlopp-03 vinyl			

Item.	Qty.	Title/ Name	Material	Art.no	Drawing.no:
		Surface treatment	Designed by:	Drawn by: Date	Approved by:
		The tolerance class in accordance with this part of ISO 2768	Assembly drawing no.	CL 2007-09-04	ASA 2009-06-26
		Art.no 112981			Scale 1:5
		 Bräddavlopp -03 Vinyl Standardhals			Revised by: Date
		Box 728, SE-194 27 Upplands Väsby, Sweden Phone +46 8 59411050, Fax +46 8 59068880			ASA 2009-06-26
		Drawing number Sid 2 R11141-2			Rev.no.