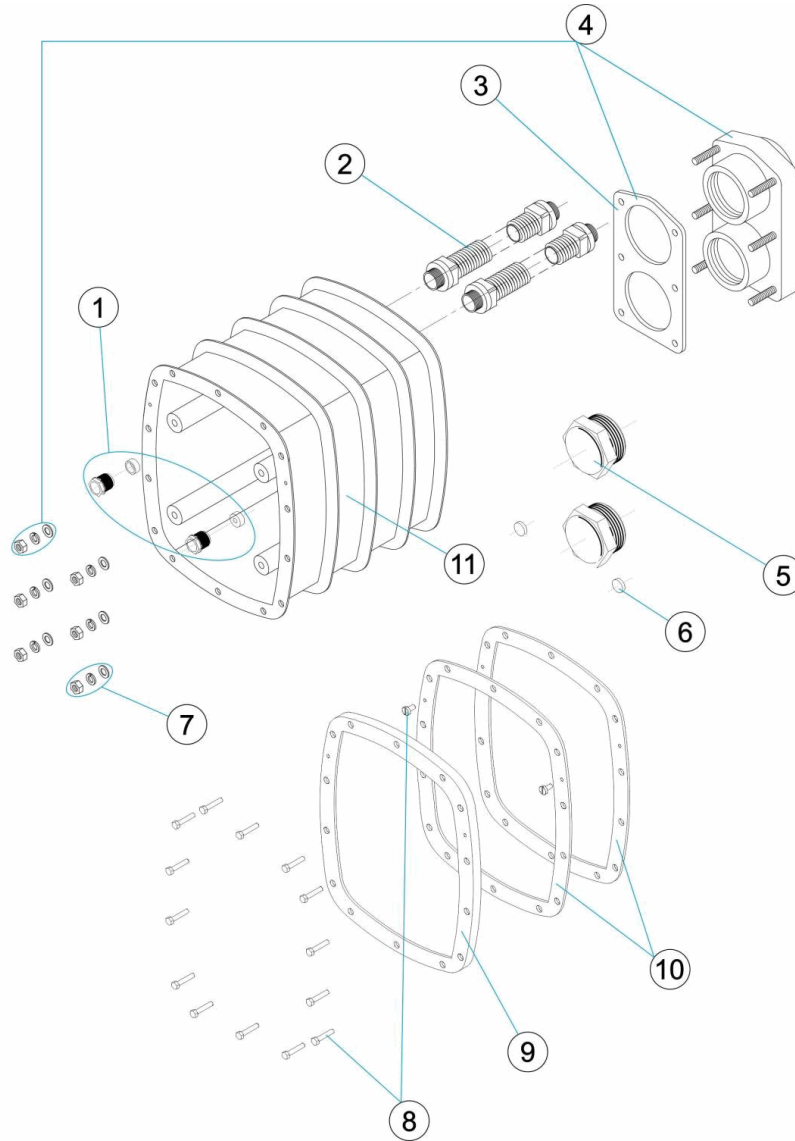


CODE **11502, 11503**

DESCRIPTION: **PLASTIC HOUSING CASC**



**ENGLISH**

POS	CODE	DESCRIPTION	POS	CODE	DESCRIPTION
1	4402050110	CCU CABLE GLAND	7	4402050025	FLANGE SCREWS
2	4402050029	HOSE CABLE GLAND	8	* 4402050114	PLASTIC FRAME SCREWS
3	4402050108	CCU GASKET COVER	9	* 4402050509	PLASTIC FRAME
4	4402050107	FLANGE CONNECTION WITH GASKET	10	* 4402050111	CCU PLASTIC FRAME GASKET
5	4402050027	THREADED CAP MALE 2"	11	11502R0100	HOUSING CASC
6	4402050028	BLIND GASKET			

CODE **11502, 11503**DESCRIPTION: **PLASTIC HOUSING CASC****OBSERVATIONS**

POS	CODE	OBSERVATIONS
8	4402050114	FOR: LINER
9	4402050509	FOR: LINER
10	4402050111	FOR: LINER